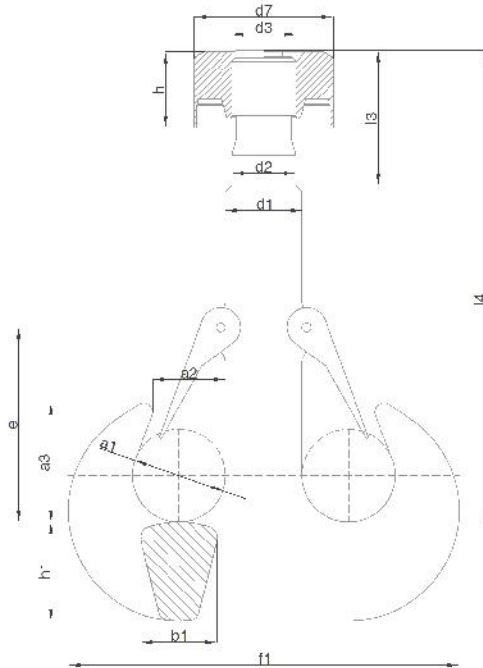


1.1 SHANK HOOKS BASED ON EN13001-3-5:2016
1.1.2 RAMSHORN FORGED HOOKS BASED ON RECOGNIZED EUROPEAN STANDARDS
1.1.2.1 Ramshorn forged hooks based on DIN15402 design
1.1.2.1.2 Machined fitted with nut


- WLL: from 5t to 2.000t.
- Hook and Nut FORGED, HEAT TREATED and thread fully MACHINED as per DIN15403 design.
- Material: carbon, alloys and super alloys. Stainless steels available upon request.
- Mechanical properties: P, S, T, V, W.
- Safety Factor: min. 4:1 with the highest material grade.
- Load Test: requested / recommended.
- Certificate: EN10204-3.1. For 3.2, ILO-3, FAT or Breaking Test available upon request.

RAMSHORN FORGED HOOKS BASED ON DIN15402 | MACHINED FITTED WITH NUT

No	OVERALL DIMENSIONS (mm)												DIN 15413 Nut		Weight kg	
	a1	a2	a3	b1	d1	e	f1	h1	d2	h11	d3	l3	l4	d7		h
2,5	50	40	65	40	42	112	208	50	36		M36	83	243,5	70	44	7,5
4	56	45	73	48	48	124	238	60	42		M42	93	274	80	49	10,6
5	63	50	82	53	53	143	266	67	45		M45	103	306	95	56	14,6
6	71	56	92	60	60	160	301	75	50		Rd50x6	112	365,5	115	60	20,4
8	80	63	103	67	67	182	337	85	56		Rd56x6	122	403	125	67	30,3
10	90	71	116	75	75	192	377	95	64		Rd64x8	135	435	145	76	43,3
12	100	80	130	85	85	210	421	106	72		Rd72x8	157	492	165	87	61
16	112	90	146	95	95	237	471	118	80		Rd80x10	170	562	175	91	84
20	125	100	163	106	106	265	531	132	90		Rd90x10	187	628	185	102	117
25	140	112	182	118	118	315	598	150	100		Rd100x12	207	696	205	113	161
32	160	125	205	132	132	335	672	170	110		Rd110x12	232	768	240	131	230
40	180	140	230	150	150	375	754	190	125		Rd125x14	257	863	270	144	336
50	200	160	260	170	170	420	842	212	140		Rd140x16	280	944	320	153	464
63	224	180	292	190	190	460	944	236	160		Rd160x18	322	1072	360	181	644
80	250	200	325	212	212	515	1062	265	180		Rd180x20	357	1212	400	198	901
100	280	224	364	236	236	575	1186	300	200		Rd200x22	402	1351	445	228	1249
125	315	250	408	265	265	645	1330	335	225		Rd225x24	465	1522	490	246	1765
160	355	280	458	300	300	725	1505	375	250		Rd250x28	510	1714	530	274	2463
200	400	315	515	335	335	800	1685	425	280		Rd280x32	613	1962	590	343	3437
250	450	355	580	375	375	875	1885	475	320		Rd320x36	690	2217	680	383	4852
320	500	400	650	425	425	950	2125	530	370		Rd360x36	780	2505	760	433	6745
400	560	450	730	475	475	1045	2375	600	415		Rd400x36	875	2820	865	482	9513

Tolerances: -0/+7% forging tolerance. Machining tolerances as per DIN15403

Modifications: Shank length (L). Further dimensions upon request.

Hook section: RSN up to No 10 and greater sizes RFN. For the largest hooks, other sections b1xH can be design.