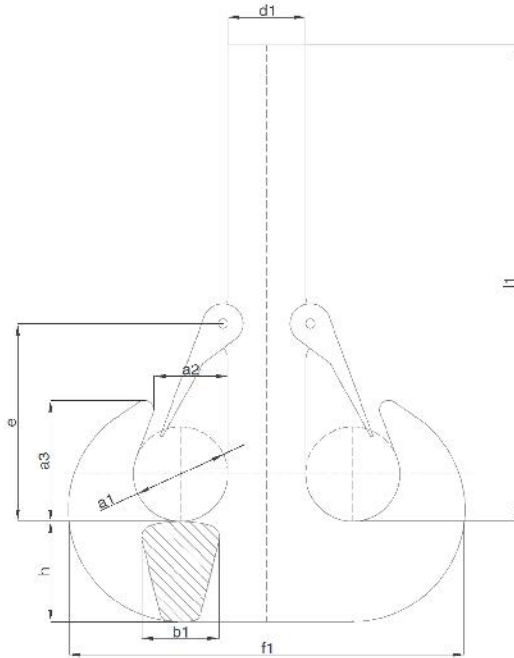


1.1 SHANK HOOKS BASED ON EN13001-3-5:2016
1.1.2 RAMSHORN FORGED HOOKS BASED ON RECOGNIZED EUROPEAN STANDARDS
1.1.2.1 Ramshorn forged hooks based on DIN15402 design
1.1.2.1.1 Unmachined


- WLL: from 5t to 2.000t.
- Hook FORGED and HEAT TREATED. Machining recommended to perform by manufacturer.
- Material: carbon, alloys and super alloys. Stainless steels available upon request.
- Mechanical properties: P, S, T, V, W.
- Safety Factor: min. 4:1 with the highest material grade.
- Load Test: requested / recommended after machining.
- Certificate: EN10204-3.1. For 3.2, ILO-3, FAT or Breaking Test available upon request.

RAMSHORN FORGED HOOKS BASED ON DIN15402 DESIGN UNMACHINED										
OVERALL DIMENSIONS (mm)										Weight
No	a1	a2	a3	b1	d1	e	f1	h	l1	Kg
2,5	50	40	65	40	42	112	208	50	250	6,9
4	56	45	73	48	48	124	238	60	280	9,7
5	63	50	82	53	53	143	266	67	312	13,4
6	71	56	92	60	60	160	301	75	375	16,8
8	80	63	103	67	67	182	337	85	415	25,3
10	90	71	116	75	75	192	377	95	450	36,3
12	100	80	130	85	85	210	421	106	510	50,5
16	112	90	146	95	95	237	471	118	580	71,1
20	125	100	163	106	106	265	531	132	650	99,5
25	140	112	182	118	118	315	598	150	715	138
32	160	125	205	132	132	335	672	170	790	197
40	180	140	230	150	150	375	754	190	885	286
50	200	160	260	170	170	420	842	212	965	394
63	224	180	292	190	190	460	944	236	1090	547
80	250	200	325	212	212	515	1062	265	1235	759
100	280	224	364	236	236	575	1186	300	1375	1060
125	315	250	408	265	265	645	1330	335	1550	1491
160	355	280	458	300	300	725	1505	375	1745	2115
200	400	315	515	335	335	800	1685	425	1998	3015
250	450	355	580	375	375	875	1885	475	2250	4268
320	500	400	650	425	425	950	2125	530	2550	6018
400	560	450	730	475	475	1045	2375	600	2895	8576

Tolerances: -0/+7% forging tolerance.

Modifications: Shank length (L). Further dimensions upon request.

Hook section: RSN up to No 10 and greater sizes RFN. For the largest hooks, other sections b1xH can be design.