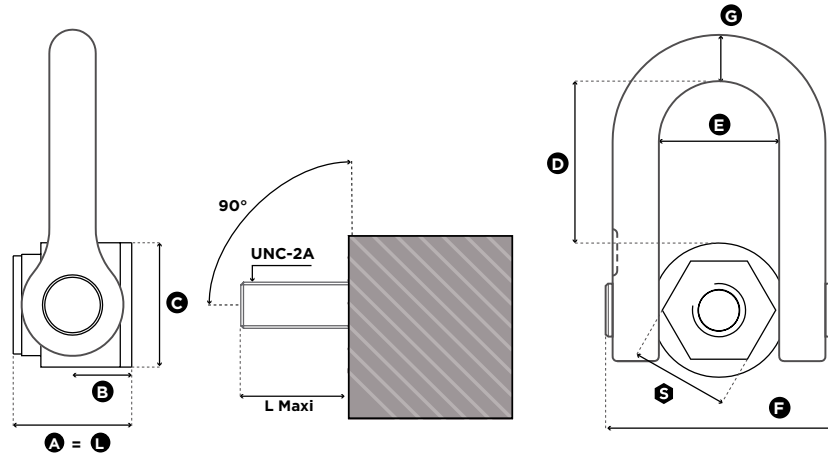




LINGATEC SOLUÇÃO EM MOVIMENTAÇÃO DE CARGAS LTDA

Rua Buri, 149 - Laranjeiras – CAIEIRAS/SP – CEP: 07739-600

11-4441-5420 - vendas@lingatec.com.br - www.lingatec.com.br



1 in = 25.4 mm

Reference	Diameter	SF 5:1 WLL (lbs)	SF 4:1 WLL (lbs)	L Maxi (mm)	Torque (Nm)	S (mm)	A (mm)	B (mm)	C (mm)	D (mm)	E (mm)	F (mm)	G (mm)	Weight (kg)
SS.FE.DSS U 100	UNC 1"-8	6,000	6,000*	66	125	50	66	31	70	104	73	149	30	5,4
SS.FE.DSS U 125	UNC 1" 1/4-7	7,500	7,500*	66	200	50	66	31	70	104	73	149	30	5,4
SS.FE.DSS U 138	UNC 1" 3/8-6	7,500	7,500*	66	240	50	66	31	70	104	73	149	30	5,4
SS.FE.DSS U 150	UNC 1" 1/2-6	11,000	11,000*	89	240	60	89	38	95	125	91	182	41	12,0

* In certification process / En cours d'homologation / In Entwicklungsphase / En proceso de homologación

4:1

UNC THREADS	Torque (ft-lb)	1		2		2			3 → 4		
		0°	0°	90°	90°	0° → 45°	46° → 60°	Asymmetric	0° → 45°	46° → 60°	Asymmetric
SS.DSS U 100 / SS.FE.DSS U 100	125	6,000*	12,000*	6,000*	12,000*	8,400*	6,000*	6,000*	12,600*	6,000*	6,000*
SS.DSS U 125 / SS.FE.DSS U 125	200	7,500*	15,000*	7,500*	15,000*	10,500*	7,500*	7,500*	15,750*	7,500*	7,500*
SS.DSS U 138 / SS.FE.DSS U 138	240	7,500*	15,000*	7,500*	15,000*	10,500*	7,500*	7,500*	15,750*	7,500*	7,500*
SS.DSS U 150 / SS.FE.DSS U 150	240	11,000*	22,000*	11,000*	22,000*	15,400*	11,000*	11,000*	23,100*	11,000*	11,000*
SS.DSS U 200	450	14,000	28,000	14,000	28,000	19,600	14,000	14,000	29,400	14,000	14,000

* In certification process with higher WLL / En cours d'homologation avec CMU plus élevée / In Entwicklungsphase mit höheren Tragfähigkeitswerten / En proceso de homologación con una CMU más elevada

5:1

UNC THREADS	Torque (ft-lb)	1		2		2			3 → 4		
		0°	0°	90°	90°	0° → 45°	46° → 60°	Asymmetric	0° → 45°	46° → 60°	Asymmetric
SS.DSS U 100 / SS.FE.DSS U 100	125	6,000	12,000	6,000	12,000	8,400	6,000	6,000	12,600	6,000	6,000
SS.DSS U 125 / SS.FE.DSS U 125	200	7,500	15,000	7,500	15,000	10,500	7,500	7,500	15,750	7,500	7,500
SS.DSS U 138 / SS.FE.DSS U 138	240	7,500	15,000	7,500	15,000	10,500	7,500	7,500	15,750	7,500	7,500
SS.DSS U 150 / SS.FE.DSS U 150	240	11,000	22,000	11,000	22,000	15,400	11,000	11,000	23,100	11,000	11,000