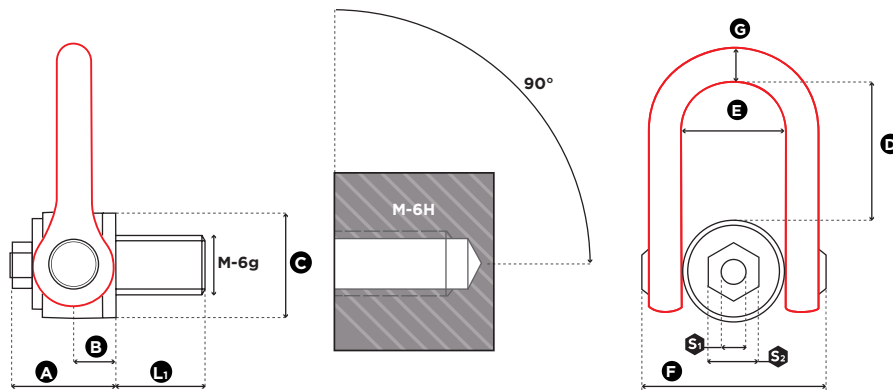




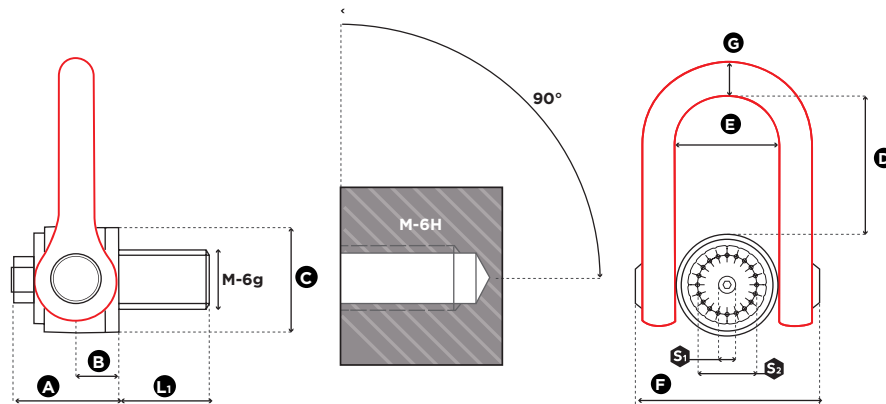
LINGATEC SOLUÇÃO EM MOVIMENTAÇÃO DE CARGAS LTDA

Rua Buri, 149 - Laranjeiras – CAIEIRAS/SP – CEP: 07739-600
 11-4441-5420 - vendas@lingatec.com.br - www.lingatec.com.br



1 in = 25.4 mm

| Reference | Diameter | SF 5:1 WLL (t) | Standard L ₁ (mm) | Torque (Nm) | S ₁ (mm) | S ₂ (mm) | A (mm) | B (mm) | C (mm) | D (mm) | E (mm) | F (mm) | G (mm) | Weight (kg) |
|--------------------------|------------|----------------|------------------------------|-------------|---------------------|---------------------|--------|--------|--------|--------|--------|--------|--------|-------------|
| GIGA.DSS M 150 UP | M 150 (x6) | 125,00 | 228 | 2000 | 41 | 105 | 271 | 115 | 290 | 357 | 302 | 544 | 103 | 268 |



1 in = 25.4 mm

| Reference | Diameter | SF 5:1 WLL (t) | Standard L ₁ (mm) | Torque (Nm) | S ₁ (mm) | S ₂ (mm) | A (mm) | B (mm) | C (mm) | D (mm) | E (mm) | F (mm) | G (mm) | Weight (kg) |
|----------------------------|------------|----------------|------------------------------|-------------|---------------------|----------------------|--------|--------|--------|--------|--------|--------|--------|-------------|
| GIGA.DSS+Q M 150 UP | M 150 (x6) | 125,00 | 230 | 160 | 21 | XZN N12 DIN 34824 | 267 | 115 | 290 | 357 | 302 | 544 | 103 | 268 |

5:1

| METRIC THREADS Number of rings Lifting angle β | Torque (Nm) | β max: 60° L: Load | | β max: 60° L: Load | | β max: 60° L: Load | | β max: 60° L: Load | | β max: 60° L: Load | | β max: 60° L: Load | | β max: 60° L: Load | |
|--|-------------|-----------------------|--------|-----------------------|--------|-----------------------|--------|-----------------------|------------|-----------------------|------------|-----------------------|------------|-----------------------|--|
| | | 1 | 2 | 1 | 2 | 1 | 2 | Asymmetric | Asymmetric | Asymmetric | Asymmetric | Asymmetric | Asymmetric | | |
| GIGA.DSS M 150 UP | 2000 | 125,00 | 250,00 | 125,00 | 250,00 | 175,00 | 125,00 | 125,00 | 262,50 | 125,00 | 125,00 | 262,50 | 125,00 | 125,00 | |
| GIGA.DSS+Q M 150 UP | 160 | 125,00 | 250,00 | 125,00 | 250,00 | 175,00 | 125,00 | 125,00 | 262,50 | 125,00 | 125,00 | 262,50 | 125,00 | 125,00 | |

max. load in t